



VRPM

VERTICAL ROLLER PRE – GRINDING MILL

The Ideal Choice for Cement Plants



AMCL – A profit optimizer and solution provider in Clinker, Raw Material Grinding in Green and Brown Field Project

AMCL Machinery Limited

Plot No. A-1/1, MIDC Industrial Area, Butibori, Nagpur – 441122
Phone: 07104 – 265470, 265724, Fax: 91 – 7104 – 265725, 265893
Website: www.amcl.in E-mail: marketing@amcl.in

VERTICAL ROLLER PRE – GRINDING MILL (VRPM)

Introduction

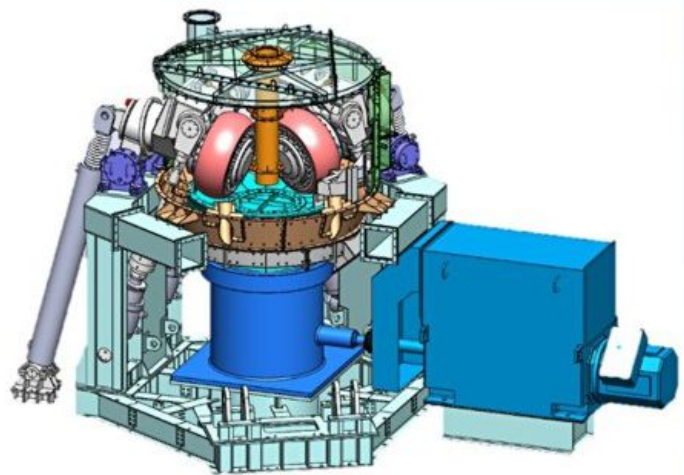
VRPM system developed by AMCL is based on technical knowhow from Nihon Cement Company Limited, Japan and has been made suitable for cement industry by a combination of our expertise and extensive research.

AMCL introduced VRPM System in 1996 and thereafter supplied these units to Cement Plants across India and abroad.

VRPM has established its advantage over other grinding methods in terms of increased overall grinding capacity and reduction in specific power consumption with lesser capital investment.

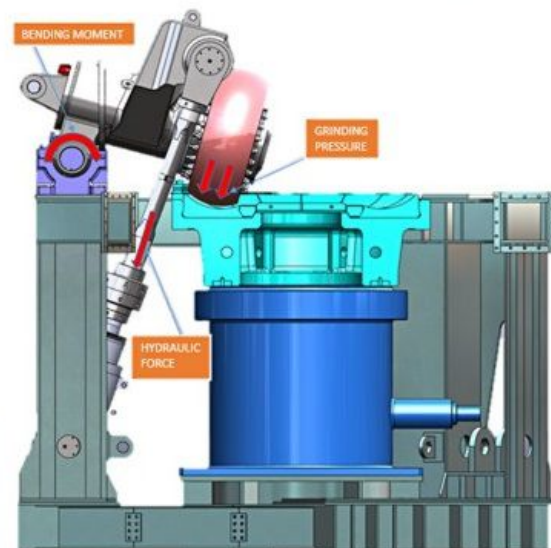
Principle of Operation

- Rotation of the table generates centrifugal force which causes material to spread over the table in uniform layer.
- Rollers are subjected to high compressive forces generated through a hydraulic system.
- High efficiency grinding is carried out simultaneously by compressive and shearing force of three rollers placed at 120° angle apart through.
- Superior mechanical structure and high stability permit trouble free operation



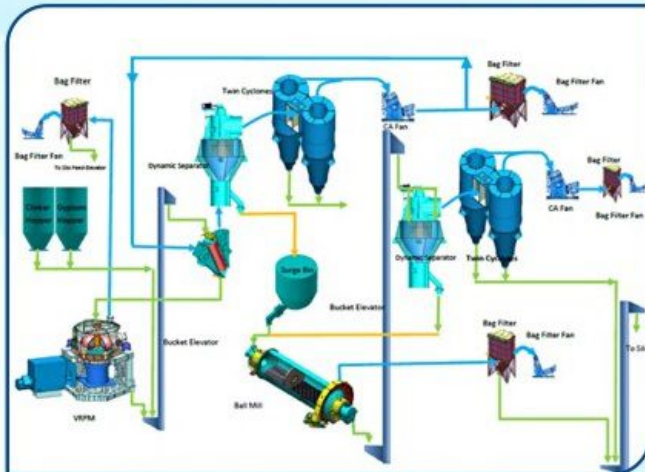
Constructional Features

- **Roller**
Special Alloy High Chrome Iron Casting Roller Tyre for life 8,000 hours in clinker.
- **Grinding Table**
Special Alloy High Chrome Iron Casting Roller Table for life 10,000 hours in clinker.
- **Gear Box**
Planetary gear box from renowned manufacturers.

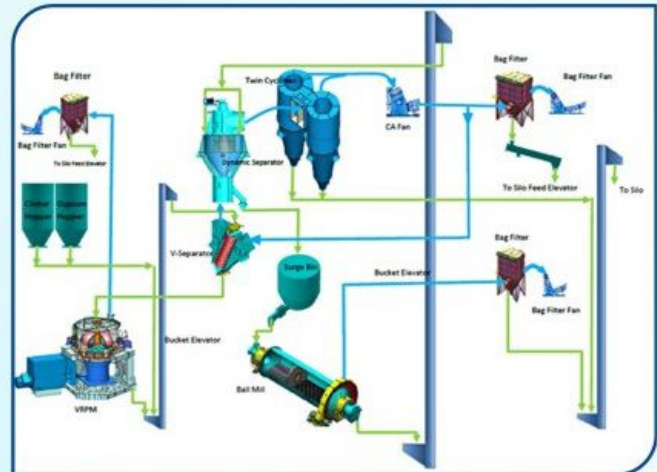


VRPM Series – Technical Specification

Model	Roller Diameter (mm)	Roller Width (mm)	Table Diameter (mm)	Drive Motor (kW)	Capacity (TPH) <-2 mm
AVM 150-3	900	315	1500	550	60
AVM 180-3	1160	400	1800	800	100
AVM 230-3	1400	500	2300	1250	160
AVM 270-3	1760	590	2700	1850	220



Brown Field Circuit



Green Field Circuit for Integrated Cement Plant and Split Grinding Location

- Capacity increase from 50% to 90%.
- Power saving from 5 to 8 units per ton of cement.
- 3 to 5 unit per ton of Raw Meal.
- Higher Blaine is possible.
- Low maintenance.
- Long life of Table Liner and Roller.

- Single Separator System.
- Less Equipment.
- Lowest Power Consumption.
- Higher Blaine is possible.
- Low maintenance.
- Long life of Table Liner and Roller.

Service offered by AMCL:

- Feasibility Studies & Process Audit of Existing Circuit.
- Design Engineering & Plant Layout for Brown Field Project.
- After Sales Service.



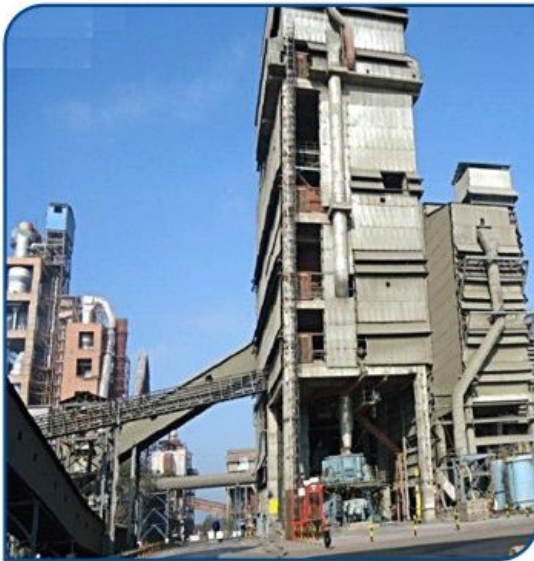
AMCL Machinery Limited

Our Clients

ACC Units
Madras Cements
Birla Corporation
Maihar Cements

Century Cement
Andhra Cement
Kuwait Cement
Ambuja Cement

Mangalam Cement
Kesoram Cement
JK Laxmi Cement
Sagar Cement



Yesterday's Pioneer... Today's Leader...

Since last four decades, AMCL has been serving Indian Cement Industry by sourcing advance solutions from world leaders like Taiheiyo Engineering Corporation (Formerly Nihon Cement Company), UNOZAWA Gumi Iron Works Ltd., Japan and ShinMaywa Industries Ltd., Japan. It stands committed to provide innovative technology to the emerging needs of its valued customers.

AMCL's Range of Cement Machinery Include:

- ⦿ Vertical Roller Pre-Grinding Mill (VRPM)
- ⦿ Tri – Lobe Rotary Blowers
- ⦿ HFCG Roller Press
- ⦿ Screw Type Pneumatic APS Pump



Works at Nagpur

AMCL Machinery Limited

Plot No. A-1/1, MIDC Industrial Area, Butibori, Nagpur – 441122
Phone: 07104 – 265470, 265724, Fax: 91 – 7104 – 265725, 265893
Website: www.amcl.in E-mail: marketing@amcl.in